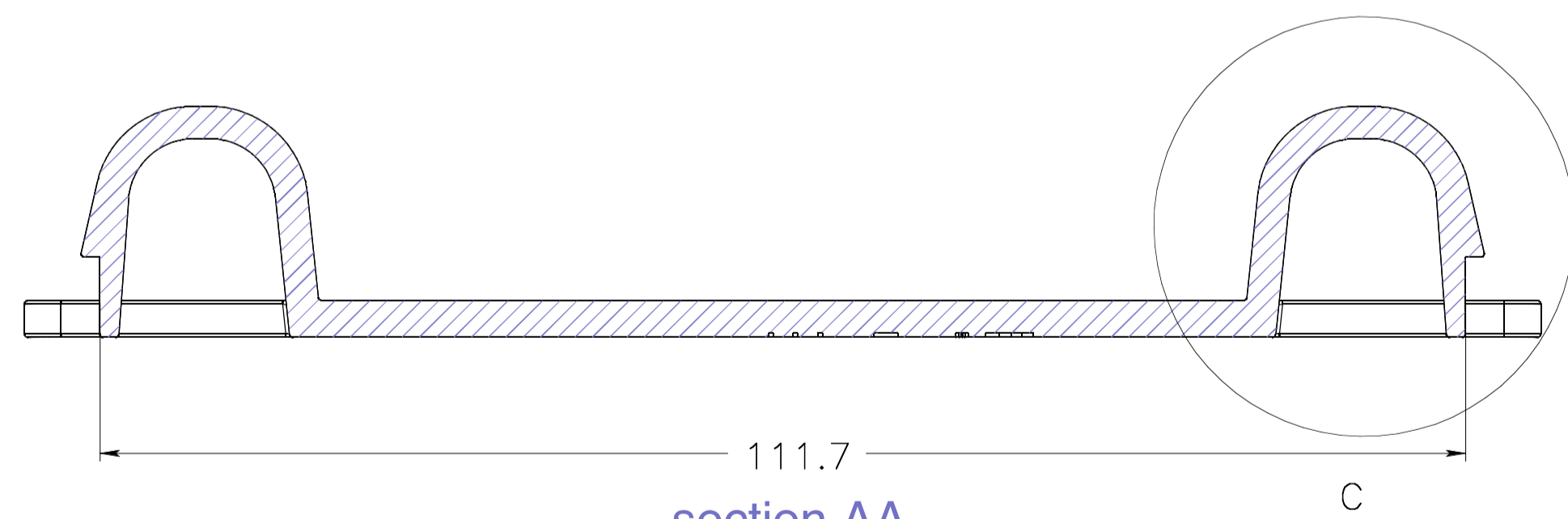
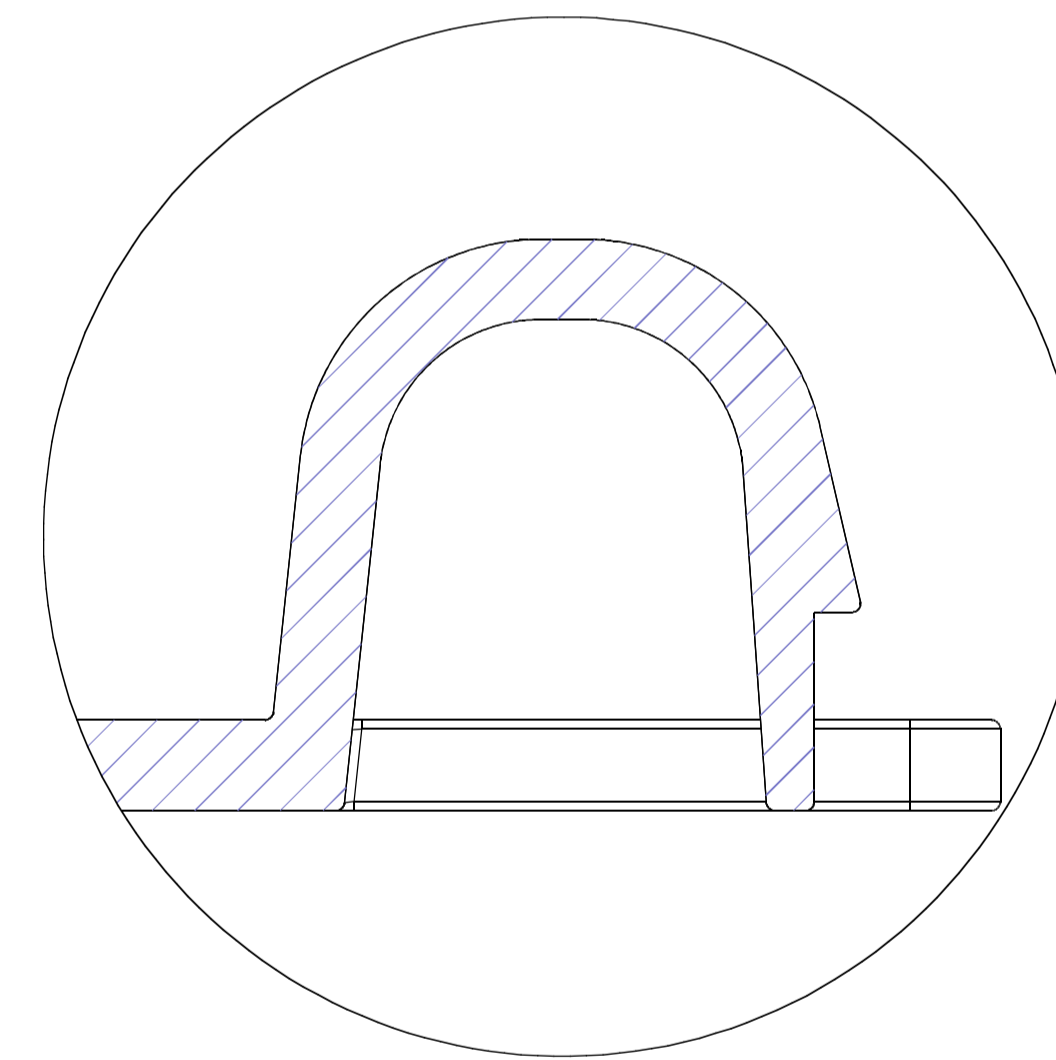


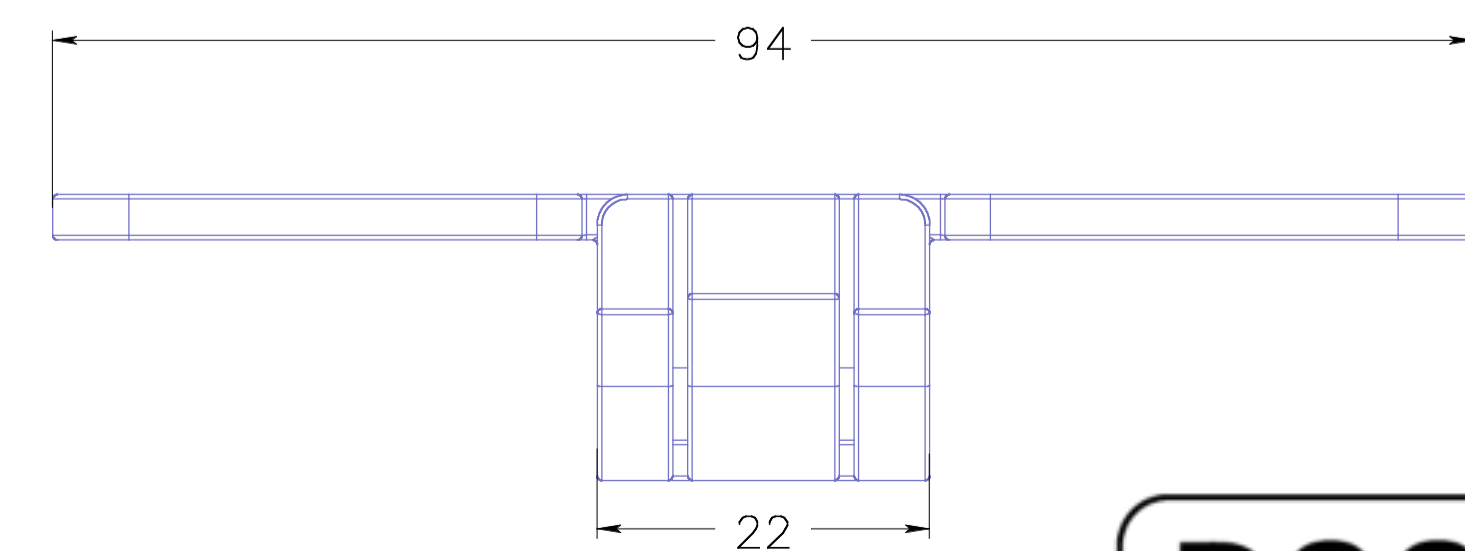
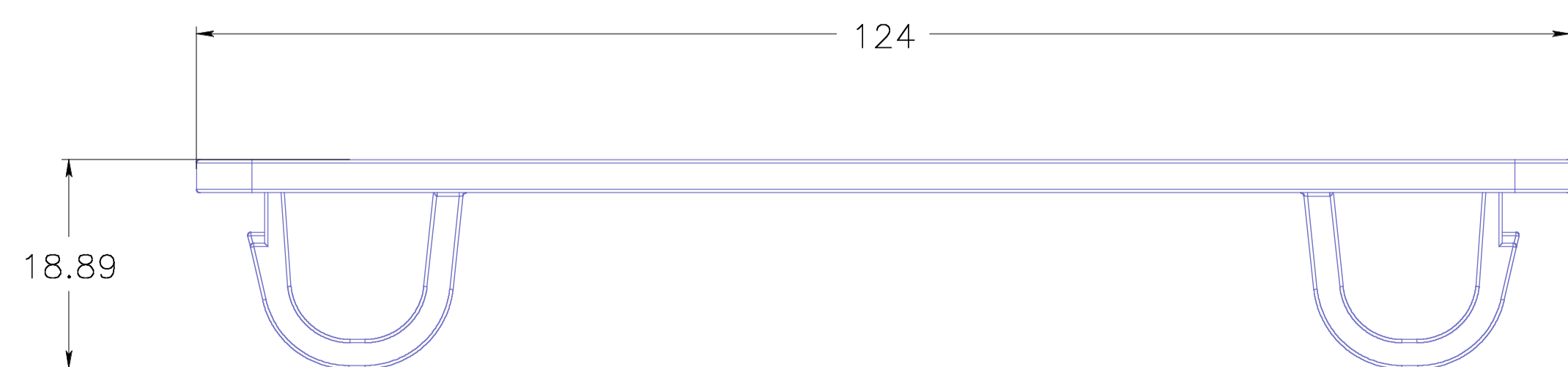
section BB



section AA



detail C



ROCKBOARD QUICKMOUNT TYPE C

