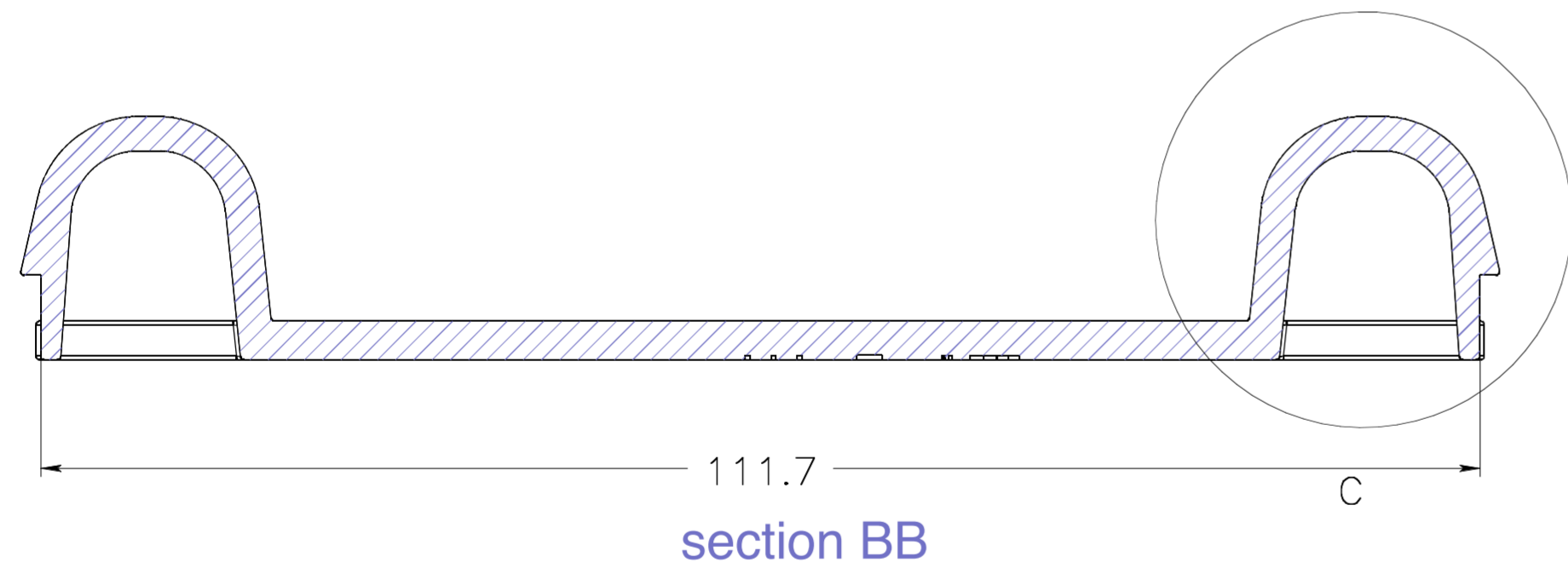
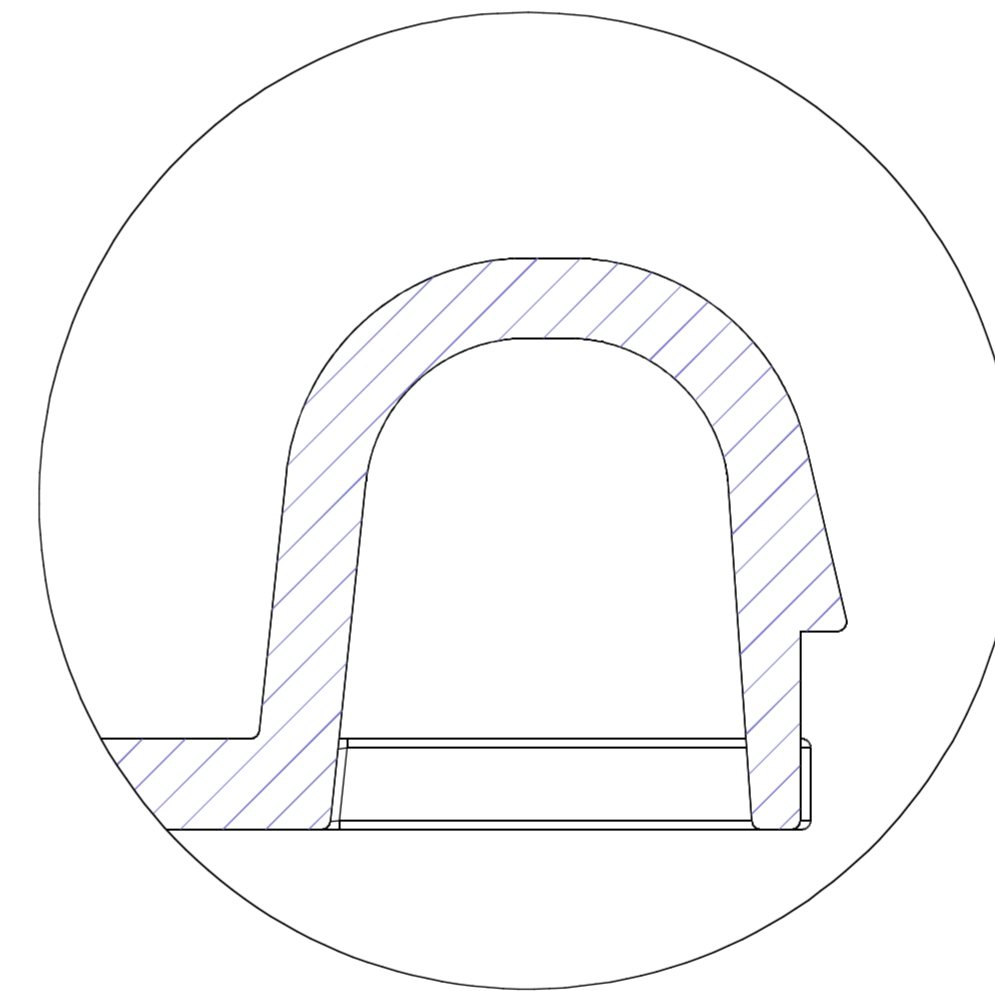
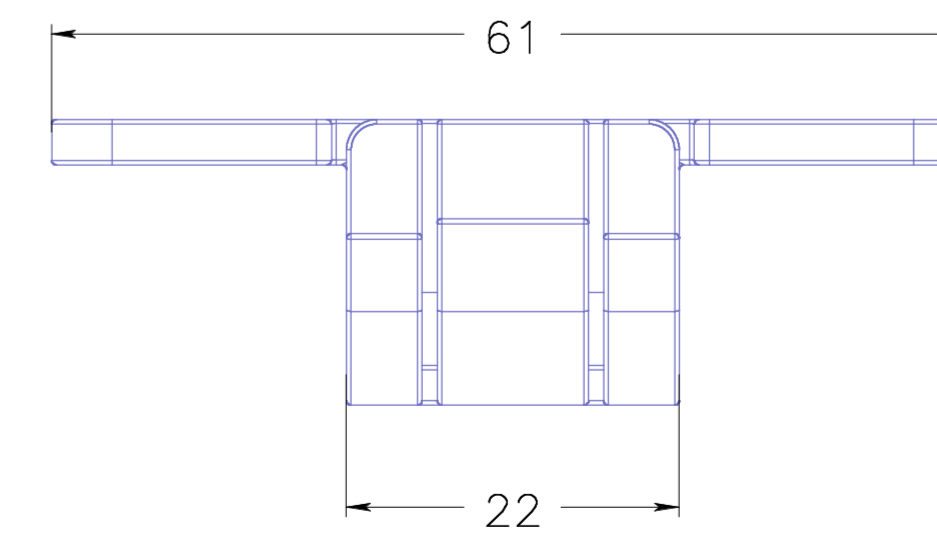
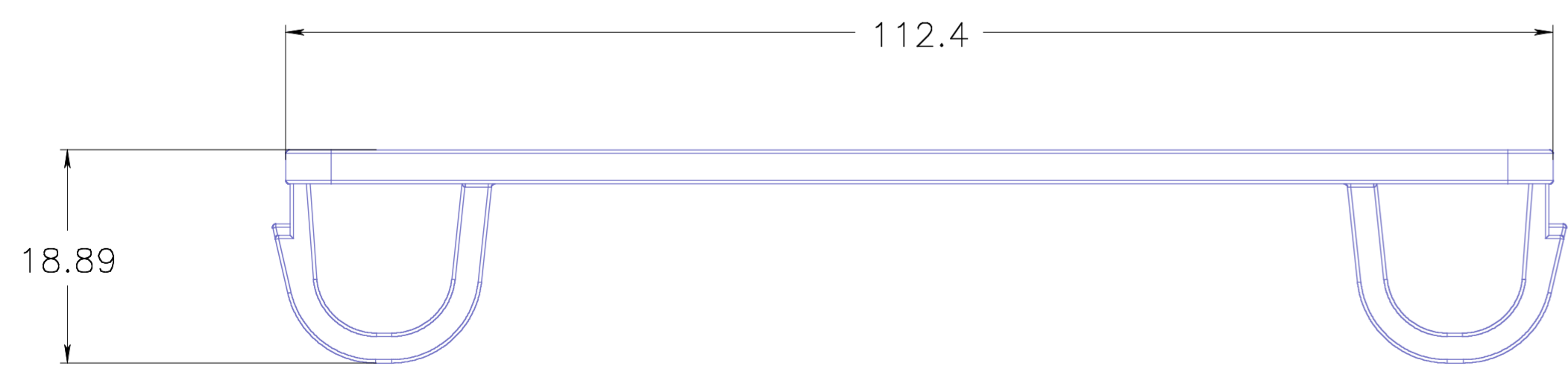


section AA



section BB



ROCKBOARD QUICKMOUNT TYPE A

