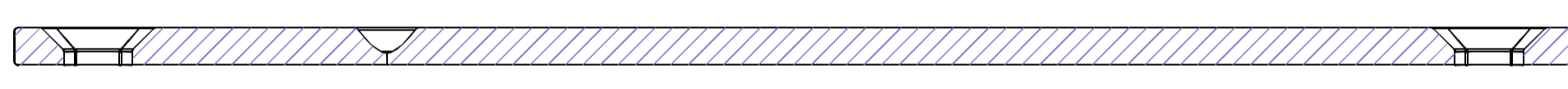
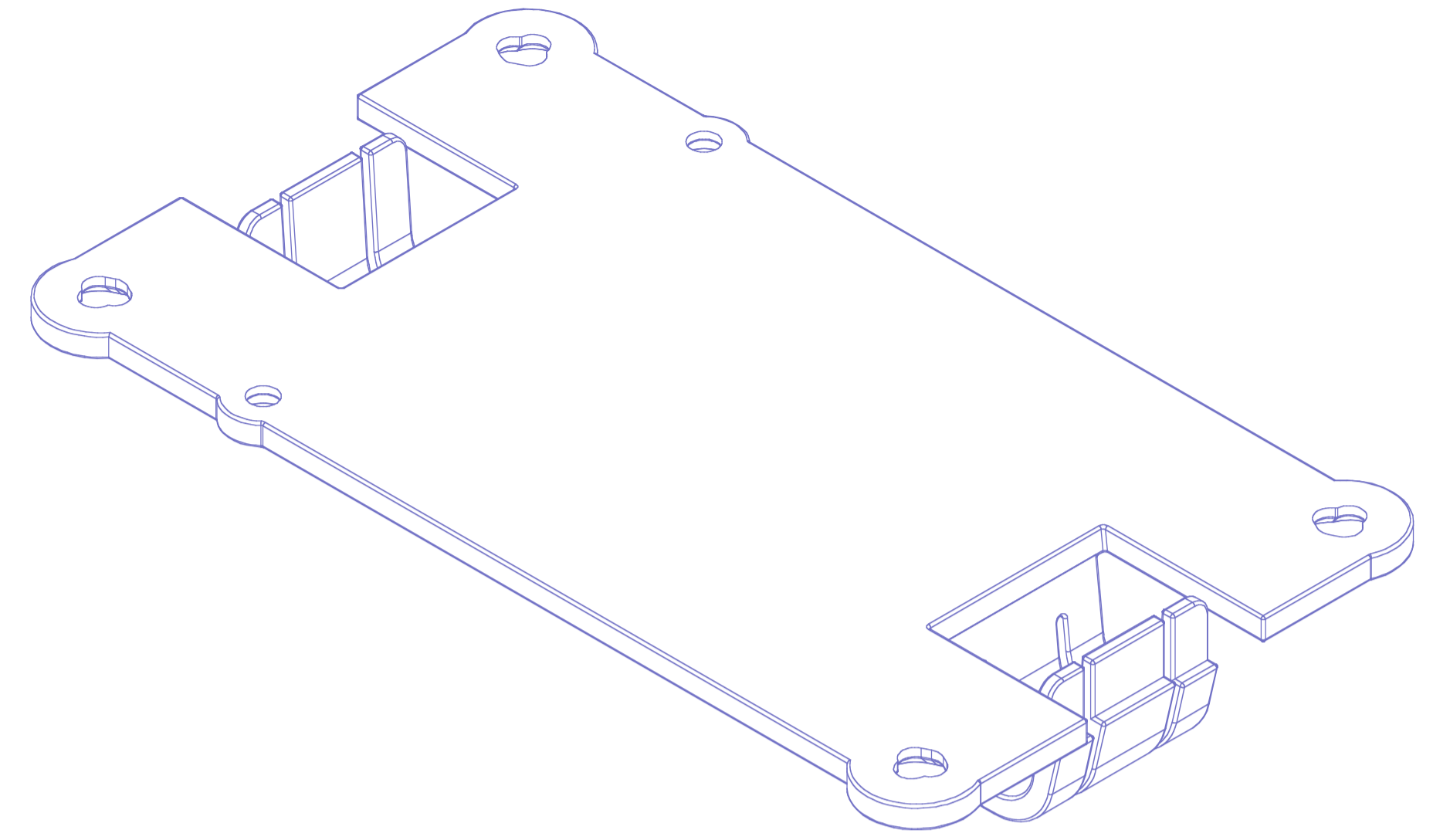
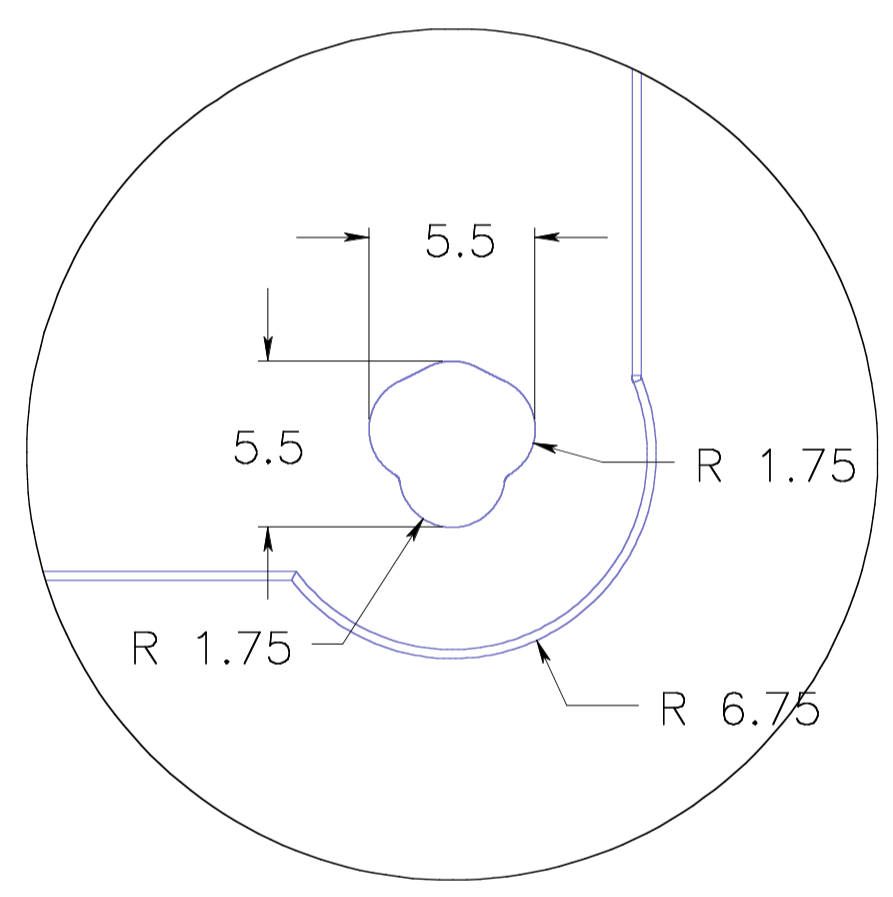


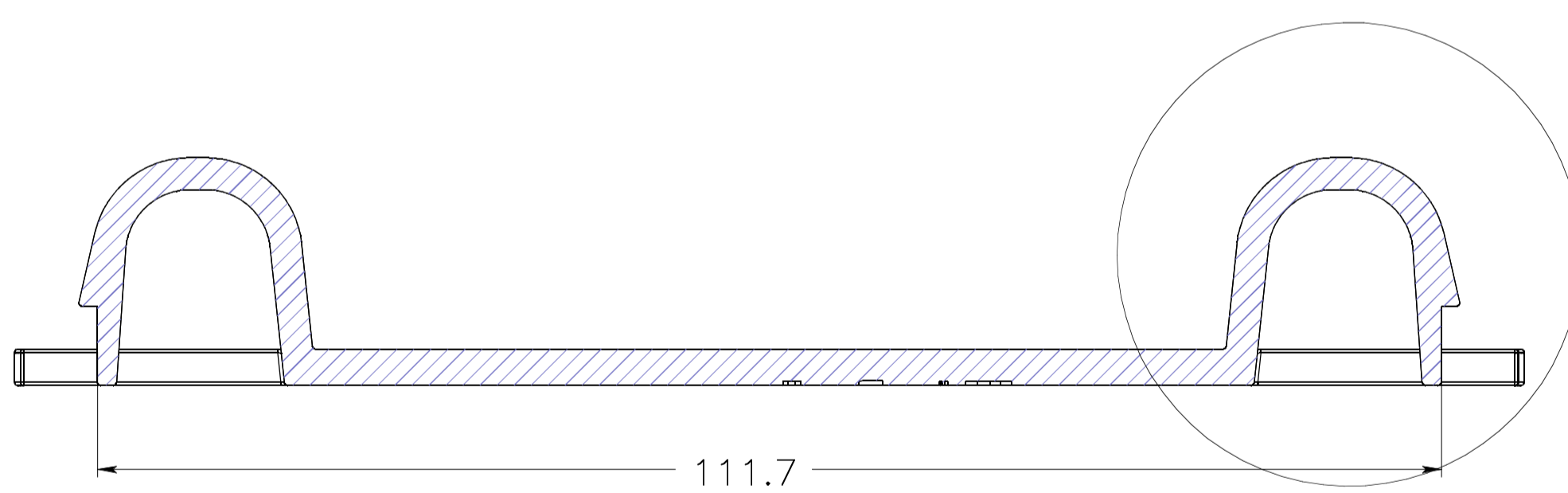
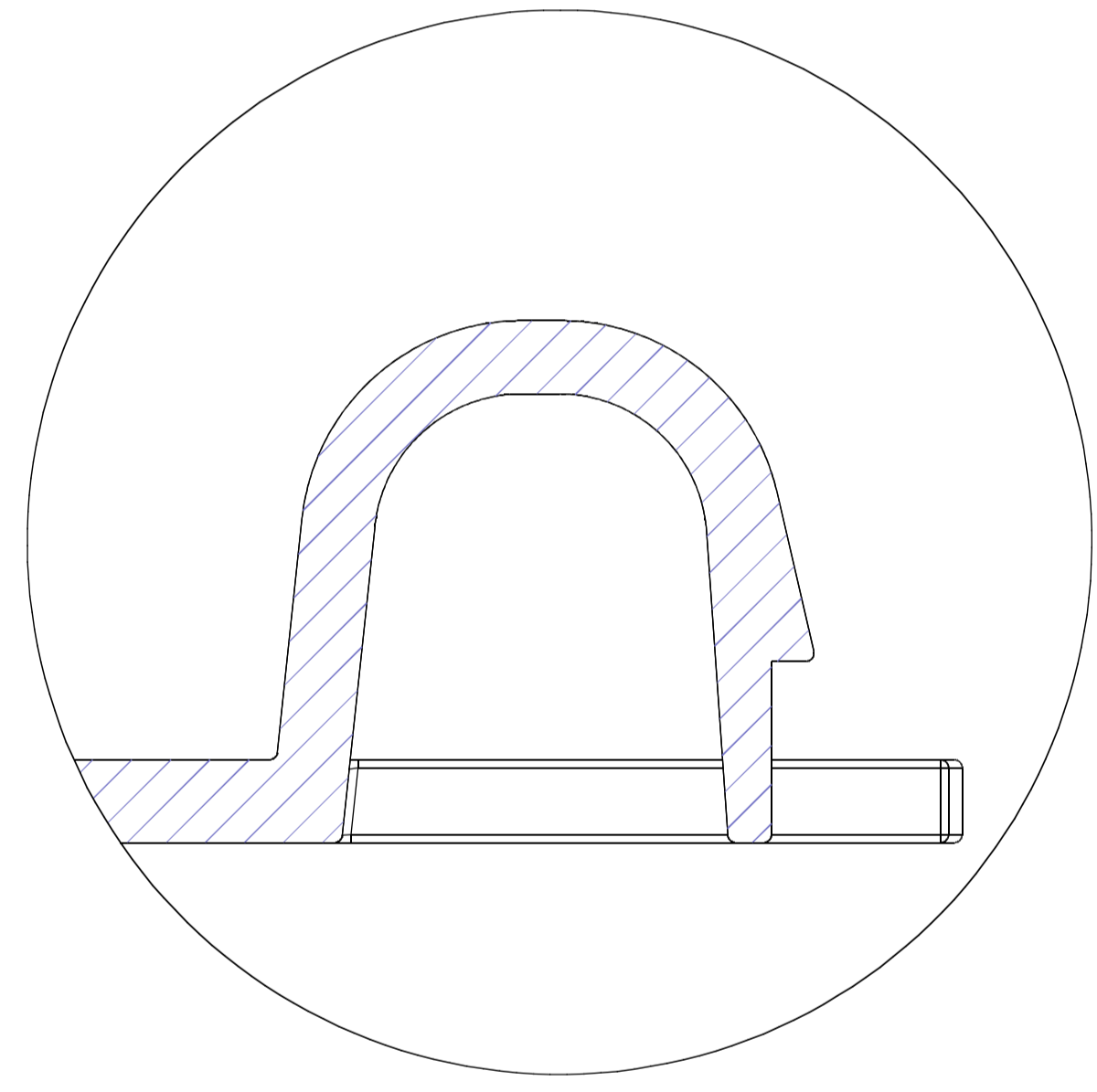
section CC



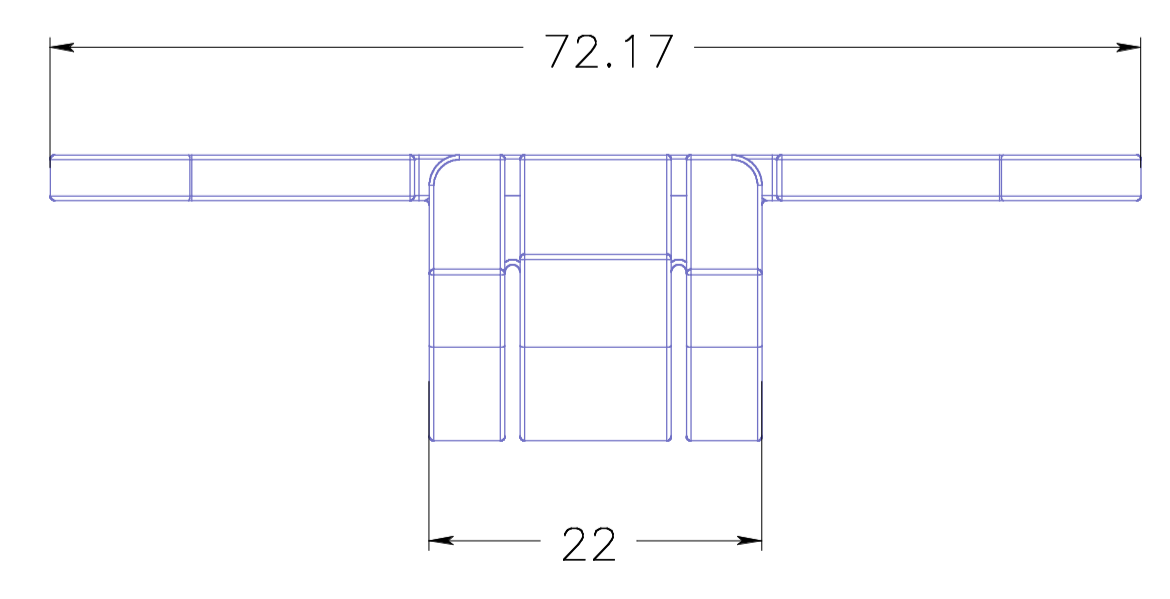
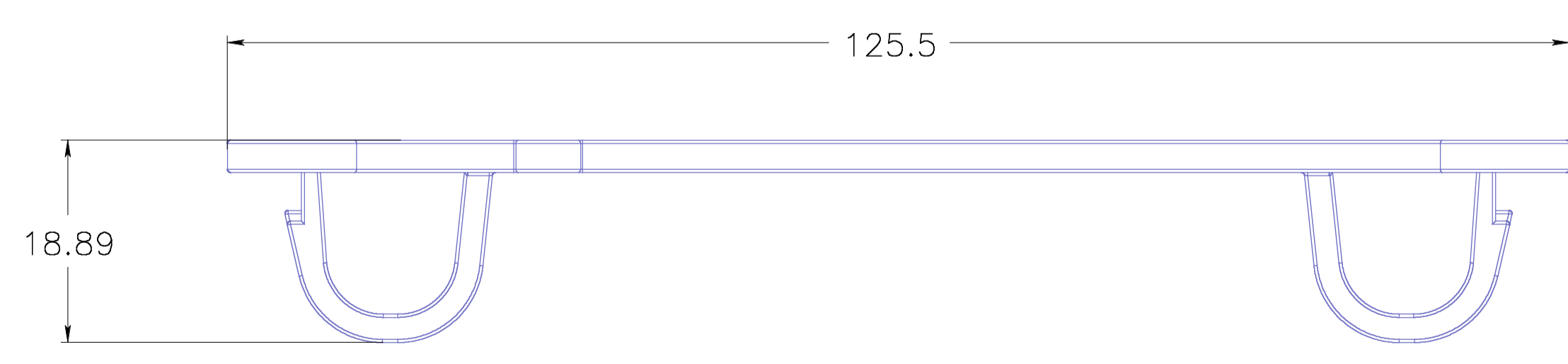
section BB



detail A



section DD



ROCKBOARD QUICKMOUNT TYPE B

